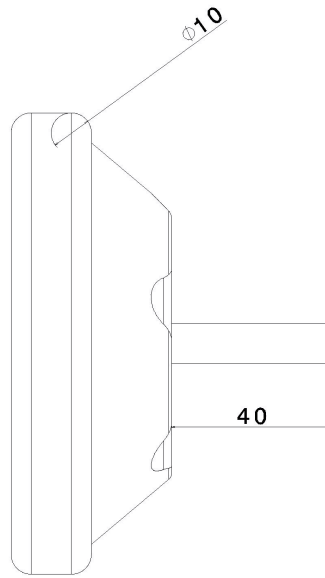
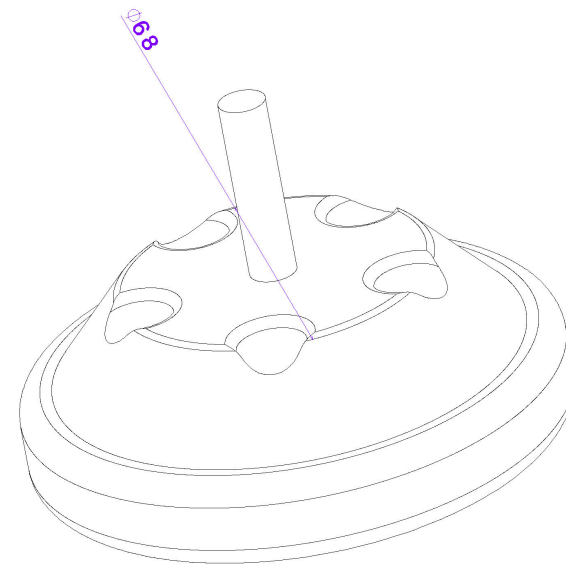


Front view
Scale: 5:2



Left view
Scale: 5:2



Isometric view
Scale: 3:1

Bill of Material: main assemble

Quantity	Part Number	Type	Nomenclature	Revision
1	base disc	Part		
1	basic disc plate	Part		
1	drive shaft	Part		